



**SENSEINICH THREE BLADE COMPOSITE
AIRCRAFT PROPELLER
INSTALLATION AND OPERATION INSTRUCTIONS
FOR ROTAX ENGINES**

DOC#: 3B0R5 Installation Instructions rev-C-2018-10-02.doc

ATTENTION: Failure to follow these instructions will void all warranties, expressed and implied. Mounting difficulties, vibration, and/or failure can result with improper assembly of the propeller blades and hub parts.

CAUTION: Rotating propellers are particularly dangerous. Extreme caution must be exercised to prevent severe bodily injury or death.

TABLE OF CONTENTS

Propeller Packing List – 3B0R5 with Rotax Threaded Drive Bushings	3
FIG 1. 3B0R5 Propeller Assembly	3
Propeller Packing List – 3B0R5 with Sensenich Non-Threaded	4
Drive Bushings	4
FIG 2. Non-Threaded Flange Bushings and Hardware	4
Propeller Description and Features	5
Required Tools	5
Propeller Assembly	6
FIG 3. Nord-Lock Lock Washer	6
FIG 4. Pitch Setting Gage	6
Propeller Installation on Engine	6
Repitching	7
Propeller Removal	8
Tachometer Inspection	8
TABLE 1: Installation Torque for Mounting and Clamping Hardware	9
TABLE 2: Approved Engine / Propeller Combinations and Limitations	9
Propeller Performance	10
Pitch Notes and Limitations	10
Instructions For Continued Airworthiness (ICA)	11
Inspections	12
Repairs	14
FIG 5. Minor Hub Repair Limits	15
Limited Warranty	15
Propeller Logbook	16

PACKING LIST FOR
INSTALLATION WITH ROTAX THREADED FLANGE BUSHINGS

NOTE: Rotax threaded drive bushings (p/n 842 634) are available from Rotax engine distributors.

They are press fit into the back side of the engine flange.

ITEM	DESCRIPTION	QTY	ITEM	DESCRIPTION	QTY
1	B-1805-XX Spacer (If Required)	1	5	3B0 Series Hub Cover Half	1
2	A-1505 Spacer Bushings (If Required)	6	6	NL8 sp Nord-Lock Washers	12
3	3B0 Series Hub Mount Half	1	7	M8 x 1.25 x 40mm Clamping Hardware	6
4	Composite Propeller Blades	3	8	M8 x 1.25 Mounting Hardware	6

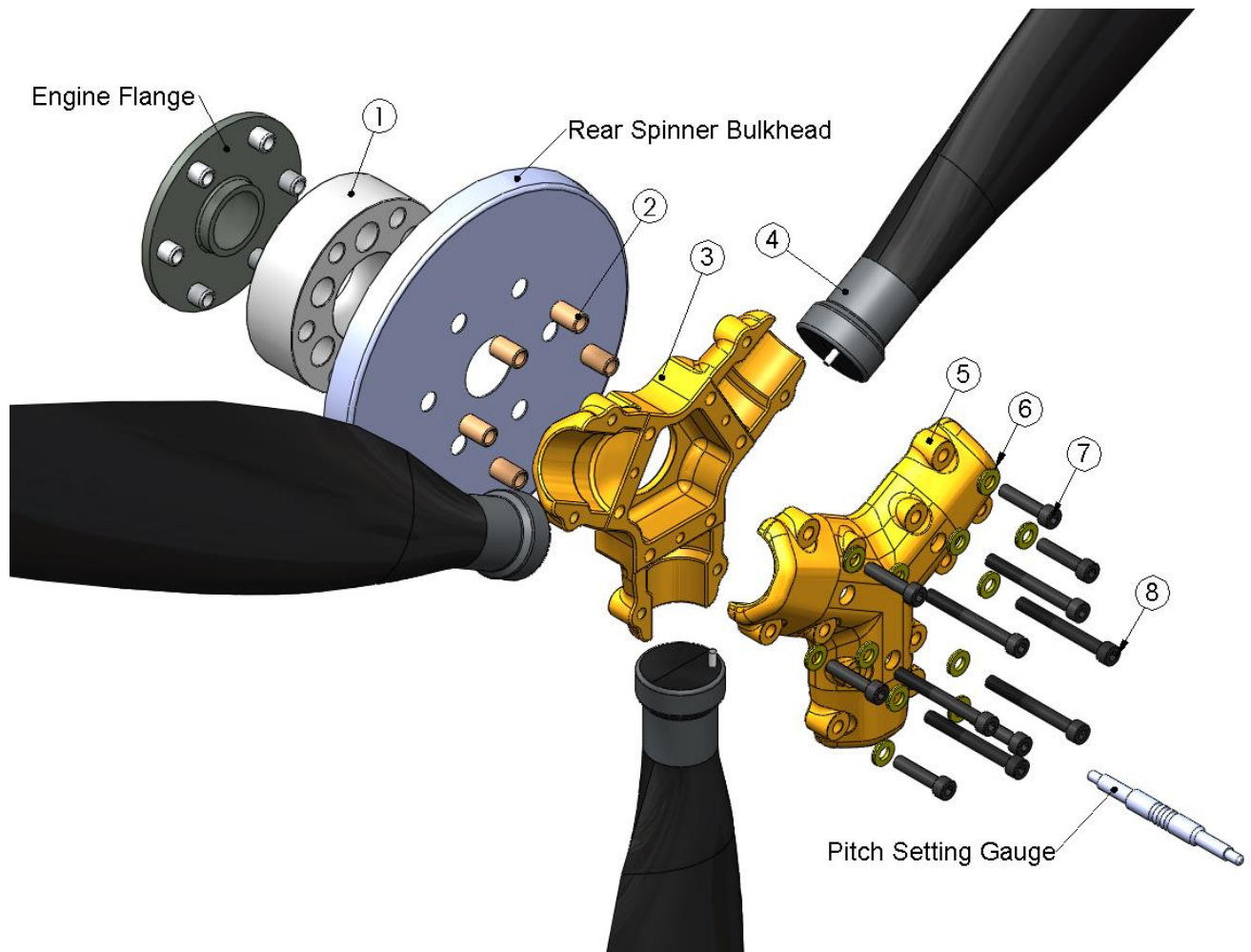


FIGURE 1. 3B0R5 PROPELLER ASSEMBLY

PACKING LIST FOR

INSTALLATION WITH SENSENICH NON-THREADED FLANGE BUSHINGS

NOTE: Sensenich non-threaded bushings are inserted into the back side of the engine flange.

ITEM	DESCRIPTION	QTY	ITEM	DESCRIPTION	QTY
1	B-1805-XX Spacer (If Required)	1	6	NL8 sp Nord-Lock Washers	18
2	A-1505 Spacer Bushings (If Required)	6	7	M8 x 1.25 x 40mm Clamping Bolts	6
3	3B0 Series Hub Mount Half	1	8	M8 x 1.25 Mounting Bolts	6
4	Composite Propeller Blades	3	9	A-1263 Flange Bushings	6
5	3B0 Series Hub Cover Half	1	10	DIN 985 M8 Nylock Nuts	6

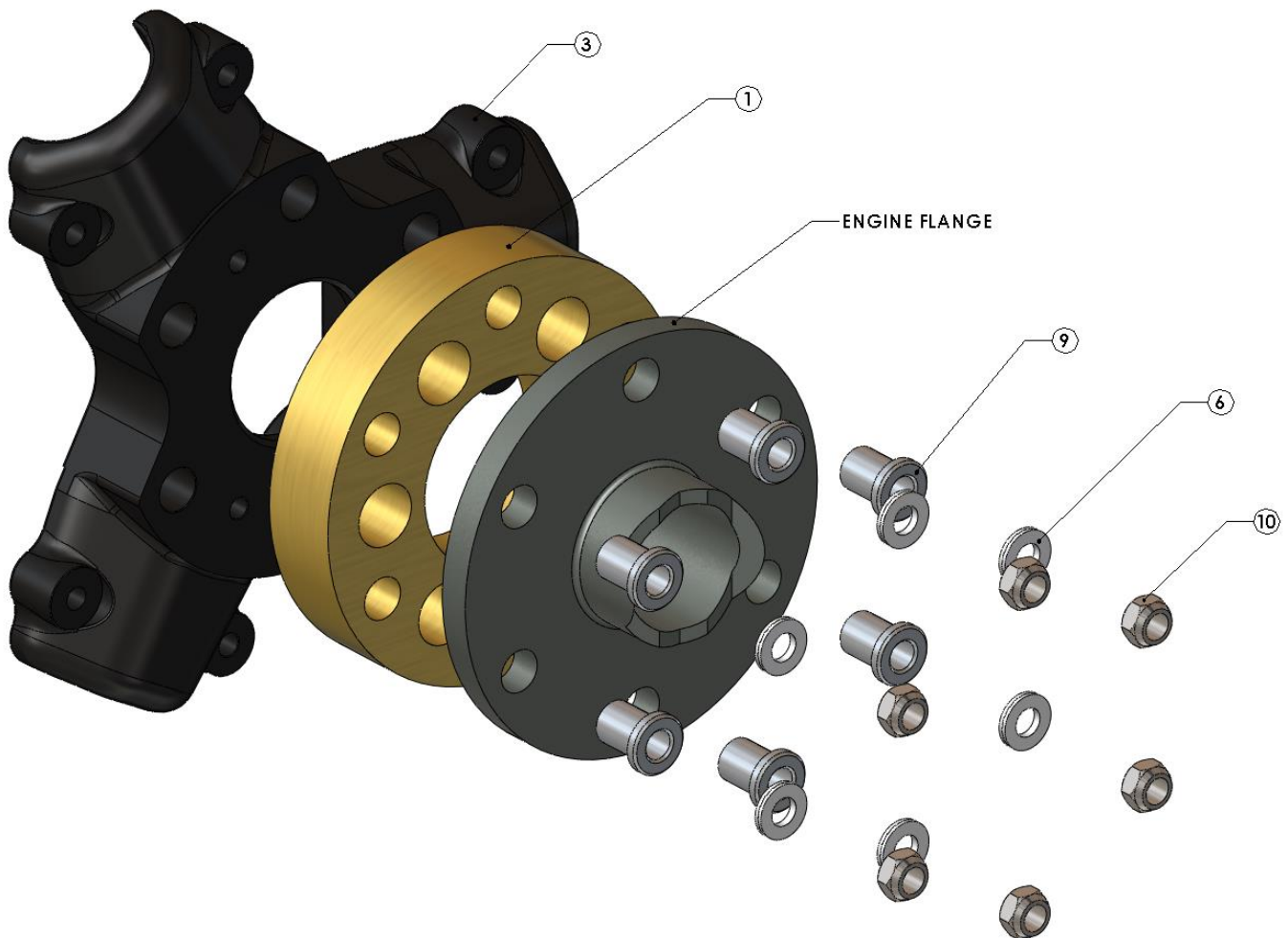


FIGURE 2. NON-THREADED FLANGE BUSHINGS AND HARDWARE

OVERALL DESCRIPTION OF THE PROPELLER AND ITS FEATURES:

Your Sensenich composite propeller was manufactured using aerospace quality materials and processes. Propeller balance was verified before shipment from the factory.

The blades were manufactured hollow, utilizing the latest carbon fiber and glass prepreg materials in a high temperature internal pressure molding process. This yields a low inertia propeller with superior performance and durability.

The high gloss finish provides UV and environmental protection. Rain and sand protection is provided by metal erosion shields on the blade leading edges. The erosion shields are co-cured with the blade prepreg, providing a smoother finish and a superior bond.

Sensenich's Pitch Gage/ Hub system allows its users to set a broad range of pitches, using the system's preset gages

when making adjustments. The various gages provide 6 different settings of pitch change affording maximum performance within an efficient aerodynamic envelope. The blade pins contact the pitch setting gage providing a very precise blade angle and therefore eliminating the need for a blade angle measurement device.

Required Tools:

Torque wrench

For Metric bolts:

6mm allen socket

13mm open end wrench

13mm socket

Note: Certain aircraft manufacturers limit total pitch range to comply with aircraft design regulations.

PROPELLER ASSEMBLY

1. Refer to **Figure 1** for views of the two piece hub, blade, and pitch setting gage. Place the hub mount half flat on a suitable work surface with the engine side down.
2. Each blade airfoil has a round side and a flat side. For tractor propellers, insert the blades with the round side facing away from the work surface; for pusher propellers, insert the blades with the flat side facing away from the work surface. Insert one blade at a time into the hub mounting half.
3. Place the hub cover half over the blades. Place Nord-Lock washers on each of the 6 clamping bolts and insert bolts into the bolt holes at the outboard end of each hub barrel.

NOTE: Each Nord_lock washer works in pairs with the “ramped” sides facing each other. No other washers may be used in combination with Nord lock washers. See Figure 3.

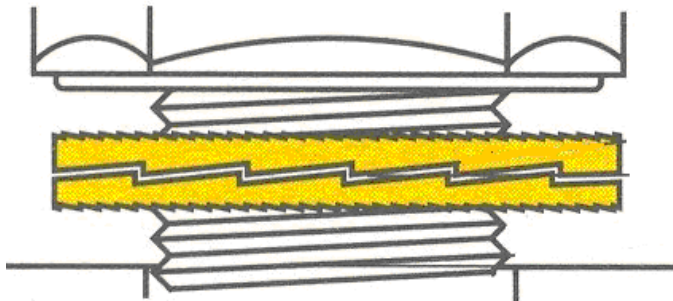


FIGURE 3. NORD-LOCK LOCK WASHER

4. Hand tighten the clamping bolts. The blades should rotate in the hub but they should not be sloppy. If the blades cannot rotate in the hub, loosen the clamping bolts slightly.
5. Rotate each blade towards high pitch, ensuring that the pitch pin on the blade shank is not obstructing the receiving hole for the pitch setting gage. For tractor installations, rotate the blade's leading edge away from the work surface to produce high pitch, or more “bite”. For pusher installations, rotate the blade's leading edge towards the work surface to produce high pitch, or more bite.
6. Insert the pitch setting gage thru the clearance hole in the hub cover half and into the receiving hole in the hub mount half. See **Figure 4**. For aircraft with a maximum speed of 138 mph or less, use pitch setting gage #3 or #4. For faster aircraft, use pitch setting gage #5 to start. The pitch setting # indicates relative pitch; pitch #5 is higher pitch than pitch setting #4, etc...

NOTE: If there is difficulty inserting the gage, check for burrs or dents on the ends. Lightly sand as needed; this will not affect the pitch.

7. With the pitch setting gage in place, rotate the blade to low pitch until the pitch pin is touching the pitch setting gage. Snug down the two clamping bolts for that blade barrel to prevent unwanted rotation of the blade.

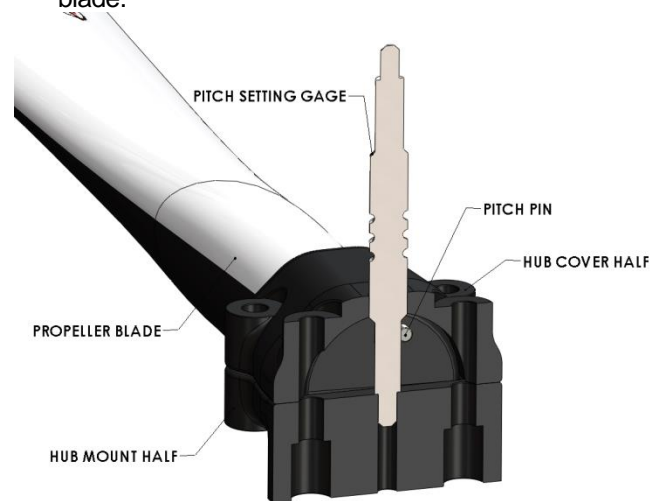


FIGURE 4. PITCH SETTING GAGE

8. Remove the pitch setting gage.
9. Repeat steps 6-8 for the remaining two blades.
10. Using a calibrated torque wrench, torque the 6 clamping bolts evenly using a star pattern. Tighten the bolts in several increments, such as 50%, 75%, and full torque. See **Table 1** or hub decal for bolt torque values.

PROPELLER INSTALLATION ON ENGINE

11. *Be certain that the aircraft magneto switch is “OFF” and that all magnetos are grounded any time the propeller is handled.* Chock the aircraft wheels to prevent movement. Clean dirt and oil residue from the engine flange. Refer to **Figure 1** for views of the spacer, two piece hub, blade and pitch setting gage.
12. Place rear spinner bulkhead (if used) and the assembled propeller, as shown in **Figure 1**, on the propeller mounting flange. (If using Sensenich non-threaded flange bushings, insert them into the engine flange from the back side, protruding into the propeller hub.) Check for proper bushing and pilot stub fit into the hub mount half. The hub must sit flush on the mounting flange.

Note: The hub must sit completely flush against the mounting flange. Some installations may require a hub spacer kit or trimming of the drive bushings for proper fit on the engine flange. Bolt breakage WILL occur if there is a gap between the propeller hub, the spacer (if needed), and the engine flange.

13. Place Nord-Lock washers on the mount bolt threads and insert the mounting bolts through the assembled hub and into the flange bushings.

(If using Sensenich non-threaded flange bushings, place Nord-Lock washers on the mounting bolt threads and hand thread the M8 nylock nuts up to the plastic stops. See **Figure 2.**)

NOTE: *DO NOT* insert the mounting bolts backwards through the engine flange. The lock nuts will not fit inside the hub, preventing the blade shanks from fully seating and the hub from closing properly.

NOTE: Each Nord_lock washer works in pairs with the “ramped” sides facing each other. No other washers may be used in combination with Nord lock washers. See **Figure 3.**

14. Using a calibrated torque wrench, torque the 6 mounting bolts evenly using a star pattern. Tighten the bolts in several increments up to full torque, such as 50%, 75%, and full torque. See **Table 1** or hub decal for mounting bolt torques.

15. Check the propeller blades for track. The blades should track within 3/16” of each other at the tip. Setting the pitch accurately is more important than track from blade to blade.

NOTE: Make sure the pitch setting gages have been removed from the hub before starting the engine.

NOTE : Tachometer accuracy is critical for safe operation of the propeller. Refer to the **TACHOMETER INSPECTION** section for important considerations.

16. Run your propeller for approximately 5 minutes at 50% of the desired RPM. Check the clamping bolts to see if they have lost torque. If they have, it is because the blades have firmly seated themselves. Tighten again to the proper torque.

Note: *Clamp* torque value should be checked after the first 5 hours of operation and at least once a year thereafter.

17. See **Table 2** for **Engine / Propeller Combinations and Limitations.**

CAUTION: YOU SHOULD NEVER EXCEED THE MAXIMUM RPM RATING FOR YOUR ENGINE.

CAUTION: TAKE-OFF RPM AT WOT (WIDE OPEN THROTTLE) MUST MEET THE AIRCRAFT MANUFACTURER’S RECOMMENDED LIMITS TO ENSURE SAFE FLIGHT.

With the brakes on, run up the propeller to check your pitch for desired maximum RPM. Remember, the propeller will pick up RPM at full throttle/level flight. If your RPM’s are too low, adjust the blades to a lower pitch setting. If the RPM’s are too high, adjust the blades to a higher pitch setting. Check your aircraft and/or engine manual for recommended static rpm. If you are not seeing your correct static RPM, be certain the tach was properly calibrated. You may contact Sensenich to purchase a slightly lower or higher pitch setting gage if you feel this is the problem due to your density altitude. **CAUTION:** YOU SHOULD NEVER MASK AN ENGINE PROBLEM WITH A PITCH CHANGE. If you are unsure, please contact the factory.

18. Install spinner front bulkhead (not used in some spinners) and spinner dome (if used). Refer to **Sensenich Supplemental Instructions for Composite Spinners.**

NOTE: Ensure there is adequate clearance between the spinner dome cutouts and the propeller blades and hub. Inadequate clearance may result in the spinner dome wearing into the blade or hub. The amount of clearance depends on engine type and spinner construction, but a minimum of 1/8” clearance is recommended.

REPITCHING

If repitching is needed:

1. *Be certain that the aircraft magneto switch is “OFF” and that all magnetos are grounded any time the propeller is handled.*
2. Loosen the clamp and mount bolts.

NOTE: The Nord-Lock washers may click loudly when loosened; this is normal. New Nord-Lock washers are assembled with rubber adhesive, which will fall apart after first use.

3. Rotate each blade's leading edge towards high pitch to insure that the pitch pin on the blade shank is not obstructing the receiving hole for the pitch setting gage.
4. Insert the desired pitch setting gage thru the clearance hole in the hub cover half and into receiving hole in the hub mount half. See **Figure 4**.
5. With the pitch setting gage in place rotate the blade toward low pitch until the pitch pin is touching the pitch setting gage. Snug down the two clamping bolts for that barrel to prevent unwanted rotation of the blade.
6. Remove the pitch setting gage. A twisting/pulling action helps in removal.
7. Repeat steps 4-6 for the remaining two blades.
8. Using a calibrated torque wrench, torque the clamping and mounting bolts evenly using a star pattern. Tighten the bolts in several increments up to full torque, such as 50%, 75%, and full torque. See **Table 1** or hub decal for bolt torque values.

REPITCHING ALTERNATE METHOD:

A propeller protractor may be used to set blade pitch. Since some blade models have high performance round airfoils, the protractor cannot be placed at the blade tip. Mark a straight line from leading edge to trailing edge approximately 8.5" in from each tip and use the protractor to set individual blade angles. Set each blade within ½ degree to each other

PROPELLER REMOVAL

1. *Be certain that the aircraft magneto switch is "OFF" and that all magnetos are grounded any time the propeller is handled.*
2. Remove spinner dome from propeller assembly (if used).
3. Loosen mount bolts and lock nuts (if using A-1263 bushings). Remove bolts, lock washers, and propeller assembly from engine flange. **NOTE:**

Some installations also have a spacer and/or spinner bulkhead.

NOTE: The Nord-Lock washers may click loudly when loosened; this is normal. New Nord-Lock washers are assembled with rubber adhesive, which will fall apart after first use. This is normal and the washers are still usable.

4. Inspect the Nord-Lock washers on the inside cam surfaces and outside serrations. Replace washers with excessive wear. Lubricate acceptable washers with a light coating of engine oil or equivalent. **NOTE: Each Nord-Lock washer works in pairs with the "ramped" sides facing each other.** No other washers may be used in combination with Nord Lock washers. See **Figure 3**.

TACHOMETER INSPECTION

Due to the exceptionally high stresses that may be generated by particular propeller/engine combinations at certain operating ranges, propeller and aircraft manufacturers have established revolutions per minute (RPM) restrictions and maximum RPM limits for some models. An improperly operating tachometer can cause an engine to exceed the maximum RPM limits or allow operation unknowingly within a restricted RPM band. Since there are no post-manufacture accuracy requirements for engine tachometers, tachometer inaccuracy could be a direct cause of propeller failure, excessive vibration, or unscheduled maintenance. Proper tachometer operation and accuracy should always be checked (using the manufacturer's procedure, if available) during normal maintenance intervals.

One means of checking the tachometer's accuracy is with a commercial optical unit which is pointed at the rotating propeller.

TABLE 1: Installation Torque For Mounting And Clamping Bolts

Hardware Part Number		Recommended Wrench Torque
M8 X 1.25 X 40mm (Class 8.8 SHCS)	Clamp bolts	220-240 in-lbs 18-20 ft-lbs 24-27 N-m
M8 X 1.25 x (length depends on spacer) (Class 8.8 SHCS)	Mount bolts	

Notes: Hubs use bolts with Nord-Lock washers. Each lock washer works in pairs with the “ramped” sides facing each other. No other washers may be used in combination with Nord lock washers. See **Figure 3**.

Table 2: Approved Engine / Propeller Combinations and Limitations

Propeller Model (hub / blade)	Type	Max Dia (inches)	Min Dia (inches)	Mass Moment of Inertia ft-lb-sec ² [kg-cm ²]	Weight (without spacer) (lbs)	Approved Engine Models	Limits
3B0R5 / R68C	tractor	68	64	.25 [3300]	9.0	Rotax 912, 912S, 912iS and 914 series engines Reduction Drives Only	5800 RPM engine 80-115 HP
3B0R5 / L68C	pusher	68	64	.25 [3300]	9.0	Rotax 912, 912S, 912iS and 914 series engines Reduction Drives Only	5800 RPM engine 80-115 HP
3B0R5 / R72C	tractor	72	68	.26 [3500]	9.5	Rotax 912, 912S, 912iS and 914 series engines Reduction Drives Only	5800 RPM engine 80-115 HP

WARNING: Propeller blade failure may occur if maximum propeller RPM is exceeded – resulting in severe bodily injury or death!

PROPELLER PERFORMANCE

In selecting a propeller, keep in mind that both aircraft and engines of the same model may vary in performance, and that operators may want different performance characteristics. For instance, one person may require a high climb rate while another seeks maximum cruising efficiency.

STANDARD PITCH / NORMAL FLYING

For normal or cross country flying, a propeller that turns up to maximum continuous engine RPM at full throttle level flight will give best all-around performance.

CRUISE PITCH

A cruise propeller will turn 150 to 250 engine RPM less than a standard pitch propeller. While cruise pitches will provide 4-6 mph higher airspeeds at cruise power rpm's, maximum level flight speeds are no better than climb or standard pitches, and the take-off and climb performance will noticeably suffer.

CLIMB PITCH / HIGH ALTITUDE OPERATION

For improved take-off and climb performance, use a climb pitch propeller that will turn 100 to 200 engine rpm more than a standard pitch propeller (*Refer to your particular aircraft operating manual for propeller limitations*). Climb pitches will typically reduce flight speeds by 4-6 mph at cruise power RPM's. A climb pitch is also recommended for aircraft operating from high density altitude runways.

PITCH NOTES AND LIMITATIONS

The faster the airplane, the higher the pitch setting that will be required to keep the engine from over-speeding at Wide Open Throttle (WOT). While the propeller may be structurally operated at any pitch setting from 0 through 5, the take-off RPM at WOT must meet the aircraft manufacturer's recommended limits to ensure safe flight.

NOTE: Certain aircraft manufacturers limit the available propeller pitch range to comply with aircraft design regulations.

There is 1 degree pitch difference between pitch setting gages, which is approximately equal to 3" of geometric pitch. Thus when adjusting propeller pitch, only change the pitch setting a maximum of 1 or 2 pitch settings at a time.

INSTRUCTIONS FOR CONTINUED AIRWORTHINESS

The following will help you operate your propeller safely, keep it looking good and help it to last longer.

- Never install a propeller on an aircraft unless it is a model approved for the aircraft and the engine. The service history must be properly documented, and a pre-installation inspection must indicate that the propeller is airworthy.
- A visual Inspection is the primary defense against early failure of propellers. When inspecting propellers, it is necessary to use touch and hearing, as well as visual clues. Changes in surface roughness, unusual free play, and odd sounds give hints as to conditions that may affect airworthiness. Feel for roughness and look for texture changes, waviness, and changes in reflection that may signal the removal of protective coatings. Some areas may require the use of a 10x magnifying glass to identify small features or find cracking.
- Do not operate your propeller above the recommended engine RPM. If your propeller has been subjected to an over speed condition of 10% over the maximum rating (example 5800 X 1.1 = 6380) for more than 2 minutes, you must perform the **Inspection After Suspected Impact** listed below. Do not spin your propeller above the engine RPM Limits given in **Table 2**.
- Do not operate any aircraft after a propeller has been subjected to an impact without a thorough inspection. See **Inspection After Suspected Impact** below
- The pre-flight inspection is a necessary step in the process of airworthiness maintenance. It should not be merely a superficial look, but a studied review of the condition of everything that might give trouble during the forthcoming flight. *Carefully examine the propeller assembly for looseness, any signs of damage, excessive wear or any other condition that would make the propeller unsafe to operate.* Check the leading edge for cracks and debonds. Externally check the spinner and bulkhead for security, missing fasteners, damage, and cracks. Cracks typically originate from the attachment screws. Check for looseness of the bulkhead. This could be an indication that the mounting bolts are loose and need to be torqued again. If any of the following damage is discovered during the preflight inspection, the propeller must be removed from service until such time as it can be evaluated and repaired by an approved propeller shop:
 - (a) Cracks in the metal hub or bolts
 - (b) Loose or cracked metal erosion shield
 - (c) Any crack across or along the blade
 - (d) Blade impact damage with missing composite material larger than .5 square inches and/or deeper than .025"
 - or (e) Obvious damage or wear beyond economical repair.
- This propeller has been static balanced with precision digital equipment. Modern dynamic balancing is performed with the propeller on the aircraft, and can reduce vibration and wear of engine accessories and other aircraft components.
- Do not use the propeller as a tow-bar to move your aircraft.
- Apply a good quality automotive paste wax to the blades at least once a year. Avoid liquid waxes.
- Avoid running-up in areas containing loose stones, sand, and gravel, to reduce erosion and/or damage to the leading edges and blades.
- Finish loss off the leading edge is a normal wear item and is dependent on the amount of operation in rain and grit.
- Whenever there is evidence of roughness on operation, check bolt torque on both the clamping and mounting bolts, and check the propeller blades for track. The blades should track within 3/16" of each other at the tip. For new installations, rotating the propeller 180 degrees and reinstalling may help.
- If the bolts are ever over-torqued, they should be replaced immediately.
- **Check clamp bolt torque at least once a year.**
- When the propeller is not in use and exposed to weather, cover it with a waterproof cover to extend the life of the finish.

LIFE LIMITATIONS: None
MAJOR PERIODIC INSPECTION: 2000 HRS
NOTE: There is no specified overhaul time. The propeller parts are removed from service when they can no longer meet the Continued Airworthiness Requirements.

INSPECTIONS

Inspection After Suspected Lightning Strike

-- To be accomplished by an A&P, IA, or repairman.

Any Sensenich composite blade suspected of lightning strike should be inspected and may require repair or replacement. Lightning strikes usually enter a composite blade through the metal erosion shield. If a lightning strike is present, a darkened area and possible pitting, usually in the proximity of the tip, will be noticeable. If a lightning strike is suspected or detected, consider the blade unairworthy. Return the blade to the factory or an **Approved Propeller Repair Station** for further examination.

Inspection After Suspected Impact

-- To be accomplished by an A&P, IA, or repairman.

Propellers that have been involved in a known or suspected static or rotating impact with relatively solid objects (e.g., ground, maintenance stands, runway lights, birds, etc.) or relatively yielding objects (e.g., snow banks, puddles of water, heavy accumulation of slush, etc.) should be inspected for damage before further flight. If the inspection reveals one or more of the following listed indications, the propeller should be removed and sent to an **Approved Propeller Repair Station**.

- (1) A blade that tracks more than 3/16" to the other blades.
- (2) Loose blades in the hub.
- (3) Any noticeable or suspected damage to the blade pitch pins.
- (4) Any diameter reduction (tip damage).
- (5) Visible major damage to the hub that cannot meet the **Minor Hub Repairs** criteria. In particular, inspect for cracks in the bolt holes, counterbores, and barrel cavities which clamp the blades.
- (6) Visible major damage to a blade that cannot meet the **Minor Blade Repairs** criteria.
- (7) Operating changes, such as vibration or abnormal RPM.

NOTE: The bolts should be magnetic particle inspected per ASTM E 1444 or replaced after any propeller strike.

Mandatory Inspections:

- **Annual Inspection -- To be accomplished by an A&P, IA, or repairman.**
 1. Examine the spinner assembly for missing hardware. Remove spinner dome. Examine spinner dome and bulkheads for security, chafing, cracks, or deterioration. If necessary, replace. See **Spinner Repairs** section.
 2. Examine each blade carefully, making sure each blade is still tight in the hub. If any loose blades are found, proceed to step 2 of **2000 Hour Inspection** procedure. Perform a thorough visual inspection for security, chafing, deterioration, and cracks. Perform a coin tap inspection of each composite blade, including the metal erosion shield on the leading edge (see AC 43-5). No dents in the metal erosion shield should be deeper than 1/8". No dents should puncture the metal erosion shield. There should be no excessive wear on the leading edge. If blade damage is beyond **Minor Blade Repair** limits, the blade must either be retired from service or sent to a repair station for evaluation before return to flight.
 3. Conditions requiring blade replacement:
 - a) Any hole in hollow blade shell (doesn't apply if a replacement metal erosion shield will cover hole)
 - b) Any crack deeper than .025"
 - c) Any solid tip damage that can't be trimmed off completely with a 2" diameter reduction.
 4. Check clamp bolt torque. -- Tighten the clamp bolts using a star pattern. See **Table 1.** or hub decal for clamp bolt torques. If the bolt requires more than 1/4 revolution to tighten to full torque, proceed to step 2 of **2000 Hour Inspection** procedure.
 5. Examine both hub halves, spacer, and hardware for corrosion. If necessary, carefully remove any flaked or blistered coating from the hub surface, taking care not to scratch the aluminum surface. If there is any corrosion or damage present to hub or spacer, refer to **Minor Hub Repair** instructions below. Replace corroded hardware.
 6. Reinstall the spinner dome.

- **2000 Hour Major Periodic Inspection – Initial portion to be accomplished by an A&P,IA, or repairman**

1. Remove spinner dome and examine it for damage, and cracks. If necessary, replace the spinner dome. See **Spinner Repairs** section.
2. Remove clamp bolts and special lock washers and retire both sets from service.
3. Remove the hub cover half and set aside.
4. Remove each blade and inspect blade shanks for any wear, also making sure the blade pitch pin is still tight in the blade shank. Perform a thorough visual inspection for security, chafing, deterioration, and cracks. Perform a thorough visual inspection and coin tap inspection of each composite blade, including the metal erosion shield on the leading edge (see AC 43-5). No dents in the metal erosion shield should be deeper than 1/8". No dents should puncture the metal erosion shield. There should be no excessive wear on the leading edge. If blade damage is beyond **Minor Blade Repair** limits, the blade must either be retired from service or sent to a repair station for evaluation before further service.
5. Conditions requiring blade replacement:
 - a) Any hole in hollow blade shell (doesn't apply if a replacement metal erosion shield will cover hole)
 - b) Any crack deeper than .025"
 - c) Any solid tip damage that can't be trimmed off completely with a 2" diameter reduction
6. Examine the data plate on the shank of each blade. Verify that you are using approved blades for the hub and that everything appears normal. If you are unsure, you can go to <http://www.sensenich.com> for reference or contact the factory for assistance.
7. Remove the hub mount half and spacer. Retire hardware from service. Inspect both hub halves for chafing, cracks, and corrosion. If necessary, carefully remove any flaked or blistered coating from the hub surface, taking care not to scratch the aluminum surface. If there is any corrosion or damage present, please see **Minor Hub Repair** instructions below.
8. Send hub cover half, hub mount half, and blades to an **Approved Propeller Repair Station** for the remaining 2000 hour inspection.

9. Reinstall repair station approved propeller or new propeller, spacer (if necessary), and spinner per the above installation instructions.

REPAIRS

Minor Blade Repairs

-- To be accomplished by an A&P, IA, or repairman

Minor impact damage, nicks, and gouges in composite material of blade not to exceed .025 depth and or .5 square inches of surface area: Fill with high strength epoxy resin West System 105/206 or equivalent (5 minute epoxy is acceptable for minor repairs only) thickened with aerospace filler material, such as Colloidal Silica 406, Cabosil, or equivalent. Sand smooth when dry.

Wear and/or roughness of metal erosion shield on blade leading edge: If metal is not worn through, use 220 grit sandpaper or coarse scotch pad to remove roughness or minor pitting, being careful to not grind through the erosion shield. Polish with fine scotch pad or equivalent to remove scratches.

Finish wear on blade:

Wear is inevitable on the blade and metal erosion shield. The wear rate depends on several factors, including high operating RPM's in rain or sandy areas, FOD on taxiways and runways, etc. Touch up the finish using Tempo A150 Flat Black, A152 White, or equivalent. When using touch up paint, keep in mind that excess paint can cause an out of balance situation so touch up should be kept to a minimum.

Minor Hub Repairs

-- To be accomplished by an A&P, IA, or repairman

Any hub or spacer that would exceed what is depicted in **Figure 5**. for minor repair must be retired from service. These dimensions (other than radius) are maximum allowable. Anything less is acceptable. Radius can be greater. A hub can be returned to service with the following limitations:

- No more than two (2) repairs in a single barrel half (where the blade touches the hub) for a total of 8 barrel repairs in one (1) complete hub, as long as the repairs do not touch.
- General hub repairs can be indefinite, both inside and outside, as long as the repairs do not touch.
- No repairs over a previous repair.

- No repairs on the hub mounting flange face.
- No repairs on either flange face of the spacer.

Corrosion – All corrosion must be removed before a hub can be returned to service. Corrosion removal is considered a repair.

Instructions for removing the damage or corrosion spot:

1. Sand the area with 220 wet-or-dry abrasive paper until all evidence of damage or corrosion is removed. A small motorized grinding tool may be used. The repaired area must not exceed the limits shown in **Figure 5**.
2. Polish the area with 320 grit (or finer) to remove all scratches.
3. Clean the area thoroughly and inspect with a 10X glass. A penetrant inspection (**ASTM E 1417** or equivalent) is recommended if damage is still suspected after the repair, **NOTE:** It is extremely important that all corrosion be completely removed. If cavities reappear during penetrant inspection, the repair operation must be repeated.
4. Remove penetrant from the affected area.
5. Spot Alodine the repaired area.

SPINNER REPAIR

-- To be accomplished by an A&P, IA, or repairman

The following repairs are directed toward composite spinners supplied by Sensenich Propeller. For repair of composite spinners not supplied by Sensenich please refer the spinner manufacturers repair instructions.

Minor impact damage, nicks, and gouges in composite material of dome or rear bulkhead not to exceed .025 depth and or .5 square inches of surface area: Fill with high strength epoxy resin West System 105/206 or equivalent (5 minute epoxy is acceptable for minor repairs only) thickened with aerospace filler material, such as Colloidal Silica 406, Cabosil, or equivalent. Sand smooth when dry.

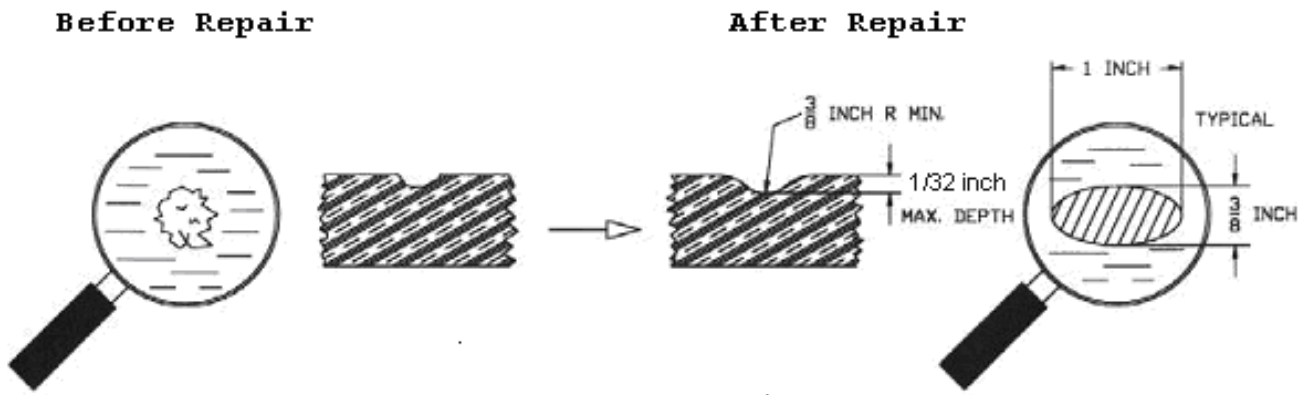


FIGURE 5. MINOR HUB REPAIR LIMITS

LIMITED WARRANTY

We hope you enjoy your new composite propeller. We have worked hard to ensure that your propeller will meet or exceed your expectations for years to come.

We offer a one year limited warranty (the "Warranty Period") on any defect in materials and workmanship.

In the event a unit does not conform to this express warranty during the Warranty Period, Sensenich Composites, Inc. ("Sensenich"), will repair or replace the defective material at its place of business at Plant City, FL USA. Sensenich will decide at its sole discretion which remedy, repair or replacement, it will provide. Any replacement of a unit or a part of a unit during the Warranty Period will not extend the Warranty beyond the original duration. The remedy of repair or replacement is exclusive and does not include the cost of shipping, removal, or installation, all of which are the customer's responsibility.

Procedure For Obtaining Warranty Service

Units or parts that are defective must be shipped prepaid to Sensenich at the address listed on page 1. The unit must be accompanied by a copy of the original (Distributor or Dealer) invoice, a Return Authorization Number (which can be obtained by phoning Sensenich), and a brief description of the defect.

Conditions, Exclusions, and Disclaimers

This limited warranty applies only to units that have been installed, used, and maintained properly in strict accordance with our specifications, instructions, and recommendations. It does not cover units that show abuse, alterations, improper installation, improper maintenance or repair, or improper packaging for shipment; and it does not pertain to damage due to object strike, or excessive blade wear due to operation. Racing use of any kind automatically voids this Warranty. The use of units on or with engines or equipment not approved by Sensenich automatically voids this warranty. For purposes of this limited warranty, "engines or equipment

not approved by Sensenich" shall mean engines or equipment that are not explicitly consistent with all specifications and instructions applicable to that engine or equipment, including, without limitation, those established by the Federal Aviation Administration, those established by the manufacturers of any component parts used in connection with the units, and/or those established by Sensenich. The purchaser has sole responsibility for ensuring that the use of the units is in compliance with all applicable specifications and instructions, and no conduct by Sensenich shall prevent this Warranty from being voided for failure to comply with the instructions or specifications provided by any third-party.

This Limited Warranty is the only warranty provided with respect to covered units, and **THERE ARE NO OTHER WARRANTIES, REPRESENTATIONS, CONDITIONS OR GUARANTEES, EXPRESS OR IMPLIED, WITH RESPECT TO THE COVERED UNITS OR THE MANUFACTURE THEREOF, INCLUDING, WITHOUT LIMITATION, ANY IMPLIED WARRANTIES OF MERCHANTABILITY OR FITNESS FOR A PARTICULAR PURPOSE.**

Repair or replacement of a nonconforming unit or part is the exclusive remedy for breach of this limited warranty, and shall constitute fulfillment of all liabilities of Sensenich to a customer or user, whether based on contract, negligence or otherwise. **IN NO EVENT SHALL SENSENICH BE LIABLE FOR ANY OTHER EXPENSES, CLAIMS OR DAMAGES OF ANY KIND HOWSOEVER CAUSED, INCLUDING (WITHOUT LIMITATION) ANY OTHER PRODUCT REPLACEMENT OR INSTALLATION COSTS AND/OR ANY DIRECT, INDIRECT, CONSEQUENTIAL, INCIDENTAL OR SPECIAL DAMAGES.**

The purchaser of the covered units has read, understood and, by purchasing the units, agrees to be bound by the above terms and conditions.

Some states do not allow the exclusion of incidental or consequential damages, so the above limitations may not apply to you.

This Warranty gives you specific legal rights and you may also have other rights which vary from state to state

