



**SENSENICH TWO BLADE COMPOSITE
AIRCRAFT PROPELLER
INSTALLATION AND OPERATION INSTRUCTIONS
FOR PIPER PA-18-150 AIRCRAFT**

PA-18-150 2G0Mx C82BGF Installation Instructions Rev0 12-23-2020

ATTENTION

Failure to follow these instructions will void all warranties, expressed and implied. Mounting difficulties, vibration, and/or failure can result with improper assembly of the propeller blades and hub parts.

CAUTION

Rotating propellers are particularly dangerous. Extreme caution must be exercised to prevent severe bodily injury or death.

TABLE OF CONTENTS

Propeller Packing List – 2G0Mx	2
Figure 1: Propeller Assembly	2
Propeller Description and Features	3
Required Tools	3
Propeller Installation	4
Table 1: Installation Torque for Mounting and Clamping Hardware	4
Figure 2: Nord-Lock Lock Washer	4
Figure 3: 75% Station Template Location	4
Figure 4: Template and Digital Level/Protractor Positioned on Blade.	4
Repitching	6
Repitching Alternate	6
Figure 5: Pitch Setting Gage Detail	6
Table 2: Pitch Setting Gage and Corresponding Blade Angles	6
Propeller Removal	6
Tachometer Inspection	7
Table 3: Installation Torque for Mounting and Clamping Hardware	7
Propeller Performance	8
Pitch Notes and Limitations	8
Instructions for Continued Airworthiness (ICA)	9
Inspections	10
Repairs	12
Figure 6. Minor Hub Repair Limits	13
Limited Warranty	13
Propeller Logbook	14
Appendix A – 180hp Piper PA-18-150 limitations	15

PACKING LIST FOR 2G0Mx
INSTALLATION WITH LYCOMING THREADED FLANGE BUSHINGS

Item	Description	Qty
1	Rear Spinner Bulkhead (if applicable)	1
2	Hub Mount Half	1
3	Inner Mount Bolts (1/2-20 x 2")	2
4	Propeller Blades	2
5	Clamp Bolts (7/16-20 x 2")	4
6	Outer Mount Bolts (1/2-20 x 5")	4

Item	Description	Qty
7	Hub Cover Half	1
8	Clamp Bolt Washers (NL11 Nord-lock)	4
9	Inner and Outer Mount Bolt Washers (NL1/2SP Nord-lock)	6
10	Spinner Dome (if applicable)	1
11	A-1608 Pitch Setting Gage (gage numbers 2-7)	3
12	A-1889 75% Airfoil Template	1

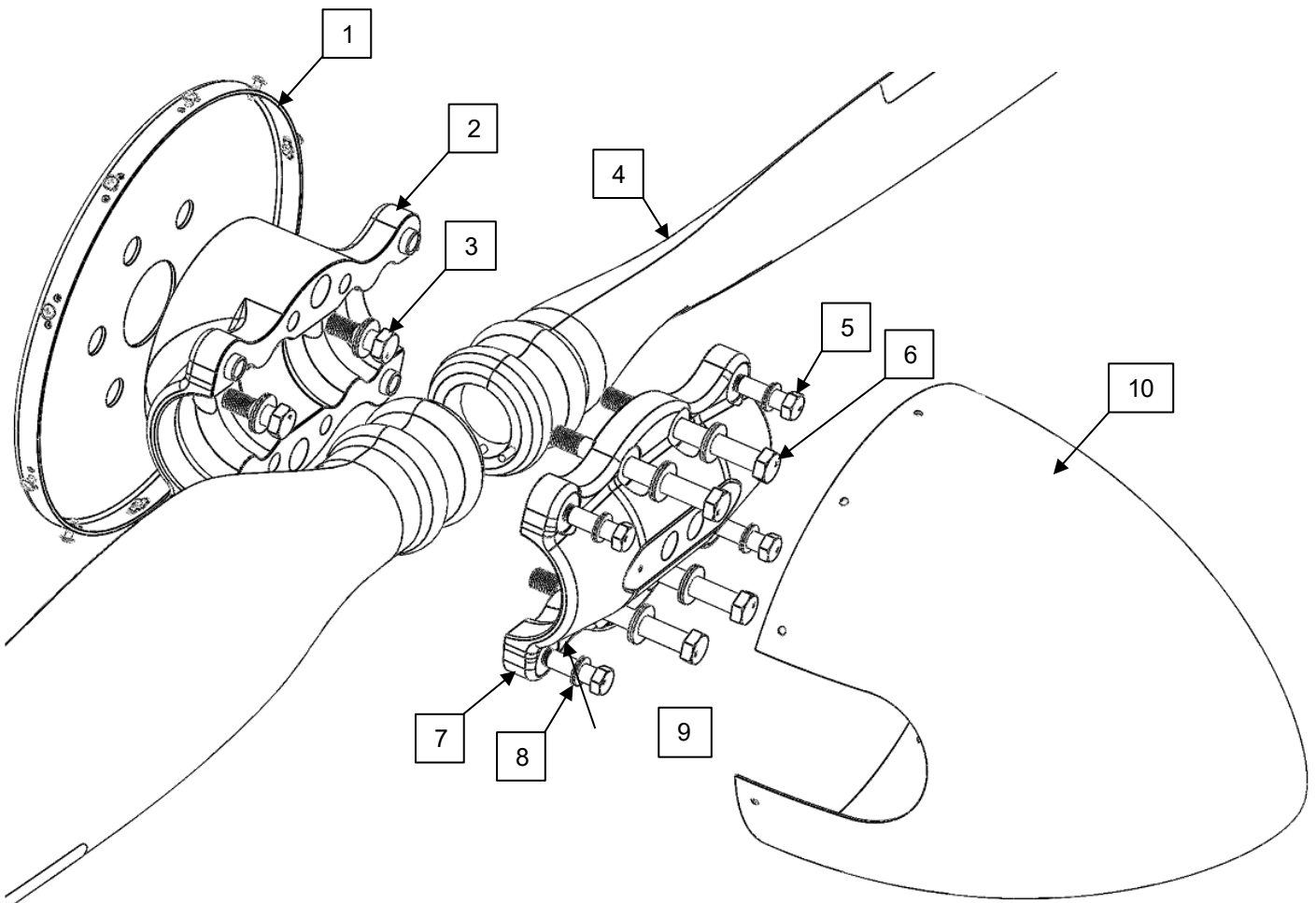


Figure 1: Propeller Assembly
A-1608 and A-1889 not included in Figure 1.

OVERALL DESCRIPTION OF THE PROPELLER AND ITS FEATURES:

Your Sensenich composite propeller was manufactured using aerospace quality materials and processes. Propeller balance was verified before shipment from the factory.

The blades were manufactured by utilizing the latest technology in carbon fiber and glass prepreg materials in a high temperature internal molding process. This yields low inertia propeller with superior performance and durability.

The propeller finish provides UV and environmental protection. Rain and sand protection is provided by metal erosion shields on the blade leading edges. The erosion shields are co-cured with the blade prepreg, providing a smoother finish and a superior bond.

In addition to templates and digital level/protractors, Sensenich's pitch gage system allows its users to set a broad range of pitches, using the preset gages. The various gages provide six settings of pitch change affording maximum performance within an efficient aerodynamic envelope.

Hub assembly used for operation on the PA-18-150 aircraft with a 180hp Lycoming O-360 or IO-360 incorporated by STC:

- 2G0M8 model hub intended for use with the Lycoming O-360 (SAE #6) engine/flange configuration with 1/2" mounting bolts.

REQUIRED TOOLS

Digital level/protractor
Torque wrench
9/16" socket (for 3/8" bolts)
5/8" socket (for 7/16" bolts)
3/4" socket (for 1/2" bolts)

Note: Certain aircraft manufacturers limit total pitch range to comply with aircraft design regulations.

PROPELLER INSTALLATION

1. Ensure the aircraft magneto switch is in the "OFF" position and that both magnetos are grounded any time the propeller is handled. Chock the aircraft wheels to prevent movement. Clean dirt and oil residue from the engine flange. Refer to **Figure 1** for views of the two-piece hub and blade exploded assembly.
2. Zero the level/protractor on the engine flange (If digital level/protractor is being use make sure it does not turn off during the installation process). Place rear spinner bulkhead (if used) and the hub mount, as shown in **Figure 1**, on the engine flange. The hub **MUST** sit flush on the engine flange.

Note:

Bolt breakage WILL occur if there is a gap between the propeller hub and the engine flange.

3. Refer to **Figure 1** for views of the two-piece hub and blade exploded assembly. Using two NL1/2SP Nord-Lock mount bolt washers and the two inner mount bolts (1/2-20 x 2"), secure the hub mount half and rear spinner bulkhead (if used) to the engine flange. Using a calibrated torque wrench, torque the two inner mounting bolts evenly using an alternating pattern. Tighten the bolts in several increments up to full torque, such as 50%, 75%, and full torque. See **Table 1**.

Table 1: Torque Figures for Specific Bolt Sizes

Bolt Size	Recommended Torque
7/16"	520-540 in-lbs*
1/2"	760-780 in-lbs*

Note:

Torque callout for bolts with dry threads and Nord-lock Washers. Must check mounting bolt torque at least once a year or if vibration occurs.

4. Each blade airfoil has a round side and a flat side. Insert the blades into the hub mount half with the round side facing away from the aircraft and then place the hub cover half over the blades.
5. Place the four NL11 Nord-Lock clamp bolt washers on each of the four clamping bolts (7/16-20 x 2") and insert bolts into the bolt holes at each outboard corner of the hub barrel.

Note:

Each Nord-lock washer works in pairs with the "ramped" sides facing each other. See Figure 2.

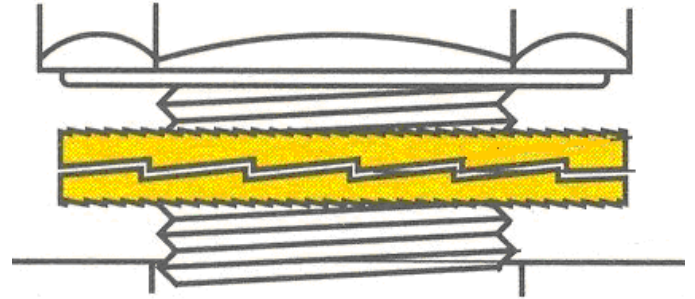


Figure 2: Nord-Lock Lock Washer

6. Place four NL1/2SP Nord-Lock mount bolt washers on each of the four outer mount bolts (1/2-20 x 5") and insert bolts into the four bolt holes along the inboard hub barrel edge of the cover half.
7. Hand tighten the clamping bolts and mount bolts while taking care to maintain an even clamp gap between hub halves. The blades should rotate in the hub but they should not be loose. If the blades cannot rotate in the hub, loosen the bolts slightly.
8. Rotate the propeller until it is parallel or level to the ground.
9. Measure 26" from the side of the hub radially out towards the blade tip and mark the blade at the 75% station for template location. See **Figure 3**.

Note:

Apply mark to blade with graphite pencil or sharpie marker, remove mark with denatured alcohol immediately after installation.

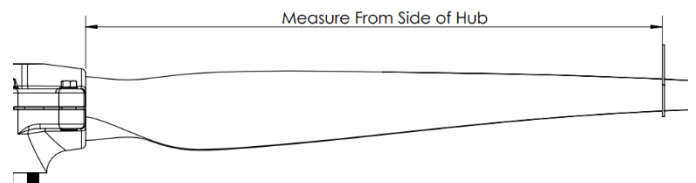


Figure 3: 75% Station Template Location

10. Place the digital level/protractor on the template and then place the template on the round side of the blade at the 75% station mark from step 9. To ensure template is positioned on the blade correctly, hook the leading edge of the blade with the template and then rotate the template down until it contacts the blade surface. See **Figure 4**.

Note:

Template must be sitting perpendicular to engine flange. Do not apply excessive force and flex the blade while holding the template and protractor on the 75 % station.

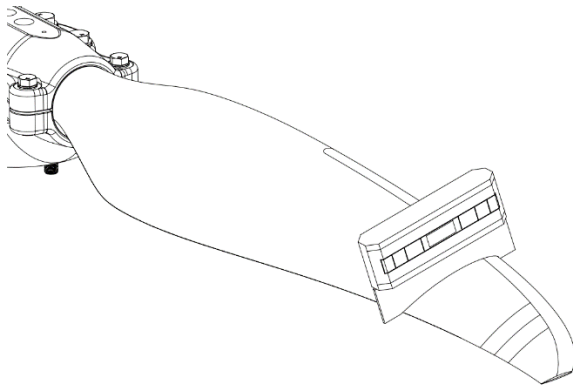


Figure 4: Template and Digital Level/Protractor Positioned on Blade.

11. Rotate the blade until the desired angle is achieved. See **Appendix** for approved angle limits at each propeller diameter for the appropriate installation. 75% blade angles must be set within 0.5° blade to blade.

Note:

Blade angle **MUST** fall within the approved limits for each propeller diameter range. Approved limits for each installation can be found in the **Appendix**.

12. Set the torque wrench to 50% of final torque. Tighten the corresponding (2) clamping bolts to keep the blade from rotating. Take care to maintain an even gap between hub halves by tightening the bolts a quarter turn and alternating back and forth. Stop at to 50% the final torque.
13. Remove the template from the propeller blade and rotate the propeller to bring the next blade around to the exact same location the first blade was measured.
14. Repeat steps 9-12 for the corresponding blade.
15. Using a calibrated torque wrench, torque the four mount bolts and four clamp bolts in a criss-cross pattern. Tighten the bolts in several increments up to full torque, such as 50%, 75%, and full torque. See **Table 1** or hub decal for bolt torque values.
16. Check the propeller blades for track and blade angle. The blades should track within 3/16" of each other at the tip. Note that setting the pitch accurately is more important than track from blade to blade.

BEFORE ENGINE START:

Ensure the runup area is clear of debris. Tachometer accuracy is critical for safe operation of the propeller. Refer to the **TACHOMETER INSPECTION** section for important considerations.

17. Start engine and run propeller for approximately 5 minutes at 50% of the desired RPM. After such time, shut down the engine and check all eight bolts to see if they have lost torque. It is a normal occurrence for the bolts to lose a small amount torque due to seating of the blades. If this has occurred, tighten again to the proper torque.

Note:

This torque value should be checked after the first 5 hours of operation and at least once a year thereafter.

18. See **Table 3** for **Engine / Propeller Combinations and Limitations**.

CAUTION: YOU SHOULD NEVER EXCEED THE MAXIMUM RPM RATING FOR YOUR ENGINE.

With the brakes on, run up the propeller to check your pitch for desired maximum RPM. Remember, the propeller will pick up RPM at full throttle/level flight. If your RPM's are too low, adjust the blades to a lower pitch setting. If the RPM's are too high, adjust the blades to a higher pitch setting using the procedure below. Check your aircraft and/or engine manual for recommended static rpm. If you are not seeing your correct static RPM, be certain the tach was properly calibrated. **CAUTION: YOU SHOULD NEVER MASK A POSSIBLE ENGINE PROBLEM WITH A PITCH CHANGE.** If you are unsure, please contact the factory.

Note:

For every 0.5° degree increase in blade angle there will be a decrease of approximately 35-50 static RPM.

19. Install spinner dome (if used). Refer to **Sensenich Supplemental Instructions for Composite Spinners**.

REPITCHING

1. Ensure that the aircraft magneto switch is in the "OFF" position and that both magnetos are grounded any time the propeller is handled.
2. Remove the spinner dome and then loosen the clamp bolts and outer mount bolts where the propeller blades can be rotated in the hub.

NOTE: The Nord-Lock washers may click loudly when loosened; this is normal. New Nord-Lock washers are assembled with rubber adhesive, which will fall apart after first use. Retire Nord-locks when they show excess wear on the "ramped" faces.

3. Follow steps 8-19 from the Propeller Installation section.

REPITCHING: ALTERNATE METHOD

To set pitch with the supplied pitch setting gages, replace steps 8-13 of the Propeller Installation section with the following steps.

NOTE:

Pitch setting gages may be used as a reference but not as the primary means of setting blade angle. If using pitch setting gages, blade angles should be checked with the template and protractor after hub is completely torqued (See step 2 and steps 8-10 of the Propeller Installation section). For a list of reference blade angles at each corresponding pitch setting gage see Table 2.

1. Rotate each blade towards high pitch, ensuring that the pitch pin on the blade shank is not obstructing the receiving hole for the pitch setting gage. Rotate the blade's leading edge away from the engine to produce high pitch, or more "bite".
2. Insert the pitch setting gage through the clearance hole in the hub cover half and into the receiving hole in the hub mount half. See **Figure 5**. If desired pitch is unknown use the nominal setting of 4 to start. The pitch setting # indicates relative pitch; pitch 5 is higher pitch than pitch setting 4, etc...
3. With the pitch setting gage in place, rotate the blade to low pitch until the pitch pin is touching the pitch setting gage. Snug the two clamping bolts for the corresponding blade barrel to prevent unwanted rotation of the blade.

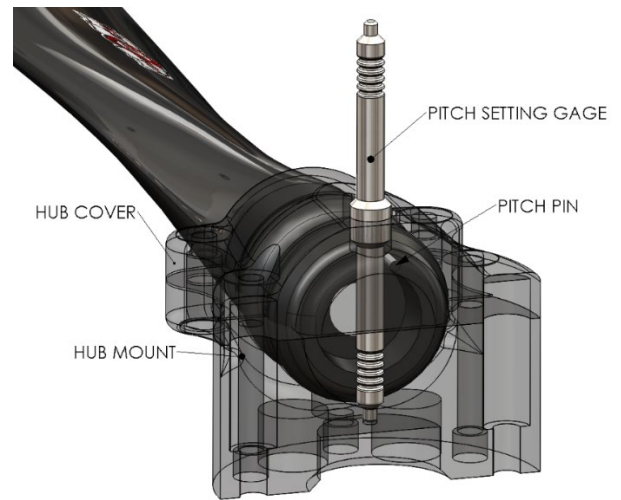


Figure 5: Pitch Setting Gage Detail

4. Remove the pitch setting gage from the hub.
5. Repeat steps 1-5 for the opposite blade.
6. Complete steps 15-19 of the Propeller Installation section.

BEFORE ENGINE START:

Make sure the pitch setting gauges have been removed from the hub and check engine compartment for tools before starting the engine.

Table 2: Pitch Setting Gage and Corresponding Blade Angles

Gage #	Angle (deg)	Pitch (in)
2	11.5	39
3	12	41
4	12.5	43
5	13	45
6	13.5	46
7	14	48

NOTE:

Blade angles in Table 2 are for reference only. Gage # is located on end of each gage.

PROPELLER REMOVAL

To remove the propeller, follow the Propeller Installation section in reverse order.

TACHOMETER INSPECTION

Owing to the exceptionally high stresses that may be generated by particular propeller/engine combinations at certain operating ranges, propeller and aircraft manufacturers have established revolutions per minute (RPM) restrictions and maximum RPM limits for some models. An improperly operating tachometer can cause an engine to exceed the maximum RPM limits or allow operation unknowingly within a restricted RPM band. Since there are no post-manufacture accuracy requirements for engine

tachometers, tachometer inaccuracy could be a direct cause of propeller failure, excessive vibration, or unscheduled maintenance.

Proper tachometer operation and accuracy should always be checked (using the manufacturer's procedure, if available) during normal maintenance intervals. One means of checking the tachometer's accuracy is with a commercial optical unit which is pointed at the rotating propeller.

Table 3: Approved Engine/Propeller/Spacer Combinations and Limitations

Hub Model	Blade Model	Configuration	Max / Min Diameter (inches)	Weight (lbs)	Mass Moment of Inertia (ft.-lb. sec ²)	Mounting Pattern	Operating Limits	Approved Engine Models
2G0M8	C82BGF	Tractor	82 / 78	20	.46	SAE 6 1/2-20" Bolts	180HP @ 2700 RPM	See STC #

Note: Approved models only applies when engine uses appropriate flange and bushings to match hub.

WARNING: Propeller blade failure may occur if maximum propeller RPM is exceeded – resulting in severe bodily injury or death!

PROPELLER PERFORMANCE

In selecting a propeller, keep in mind that both aircraft and engines of the same model may vary in performance, and that operators may want different performance characteristics. For instance, one person may require a high climb rate while another seeks maximum cruising efficiency.

STANDARD PITCH / NORMAL FLYING

For normal or cross country flying, a propeller that turns up to maximum continuous engine RPM at full throttle level flight will give best all-around performance.

CRUISE PITCH

A cruise propeller will turn 100 to 200 engine RPM less than a standard pitch propeller. While cruise pitches will provide 4-7 mph higher airspeeds at cruise power rpm's, maximum level flight speeds are no better than climb or standard pitches, and the take-off and climb performance will noticeably suffer.

CLIMB PITCH / HIGH ALTITUDE OPERATION For improved take-off and climb performance, use a climb pitch propeller that will turn 100 to 200 engine rpm more than a standard pitch propeller (*Refer to your particular aircraft operating manual for propeller limitations*). Climb pitches will typically reduce flight speeds by 4-7 mph at cruise power RPM's. A climb pitch is also recommended for aircraft operating from high density altitude runways.

NOTE: When pitching propeller for a climb pitch, the propeller WILL overspeed in full throttle level flight. Propeller RPM should never exceed the engine manufacturers recommended maximum RPM. Please refer back to Table 3 for limits.

PITCH NOTES AND LIMITATIONS

The faster the airplane, the higher the pitch setting that will be required to keep the engine from over-speeding at Wide Open Throttle (WOT).

While the propeller may be structurally operated at any pitch setting within the approved limits (see appendix for approved limits), the take-off RPM at WOT must meet the aircraft manufacturer's recommended limits to ensure safe flight. Although this propeller model has many pitches available, Propeller RPM should never exceed the engine manufacturers recommended maximum RPM. Please refer to **Table 3**.

NOTE:

For each aircraft installation, refer to the applicable pitch limitations section in the Appendix.

INSTRUCTIONS FOR CONTINUED AIRWORTHINESS

The following will help you operate your propeller safely, keep it looking good and help it to last longer.

- Never install a propeller on an aircraft unless it is a model approved for the aircraft and the engine. The service history must be properly documented, and a pre-installation inspection must indicate that the propeller is airworthy.
- A visual Inspection is the primary defense against early failure of propellers. When inspecting propellers, it is necessary to use touch and hearing, as well as visual clues. Changes in surface roughness, unusual free play, and odd sounds give hints as to conditions that may affect airworthiness. Feel for roughness and look for texture changes, waviness, and changes in reflection that may signal the removal of protective coatings.
- Do not operate your propeller above the recommended engine RPM. If your propeller has been subjected to an over speed condition of 10% over the maximum rating (example $2700 \times 1.1 = 2970$) for more than 2 minutes, you must perform the **Inspection After Suspected Impact** listed below. **Do not spin your propeller above the engine RPM Limits given in Table 3.**
- Do not operate any aircraft after a propeller has been subjected to an impact without a thorough inspection. See **Inspection After Suspected Impact** below
- The pre-flight inspection is a necessary step in the process of airworthiness maintenance. It should not be merely a superficial look, but a studied review of the condition of everything that might give trouble during the forthcoming flight. *Carefully examine the propeller assembly for looseness, any signs of damage, excessive wear or any other condition that would make the propeller unsafe to operate.* Check the leading edge for cracks and debonds. Externally check the spinner and bulkhead for security, missing fasteners, damage, and cracks. Cracks typically originate from the attachment screws. Check for looseness of the bulkhead. This could be an indication that the mounting bolts are loose and need to be torqued again. If any of the following damage is discovered during the preflight inspection, the propeller must be removed from service until such time as it can be evaluated and repaired by an approved propeller shop:
 - (a) Cracks in the metal hub or bolts
 - (b) Loose metal erosion shield
 - (c) Any crack across or along the blade
 - (d) Blade impact damage with missing composite material larger than .5 square inches and/or deeper than .025"
 - or (e) Obvious damage or wear beyond economical repair.
- This propeller has been static balanced with precision digital equipment. Modern dynamic balancing can be performed with the propeller on the aircraft and can help reduce vibration and wear of engine accessories and other aircraft components.
- Do not use the propeller as a tow-bar to move your aircraft.
- Apply a good quality automotive wax to the blades at least once a year.
- Avoid running-up in areas containing loose stones, sand, and gravel, to reduce erosion and/or damage to the leading edges and blades.
- Finish loss off the leading edge is a normal wear item and is dependent on the amount of operation in rain and grit.
- Whenever there is evidence of roughness on operation, check bolt torque on both the clamping and mounting bolts and check the propeller blades for track. The blades should track within 3/16" of each other at the tip. For new installations, rotating the propeller 180 degrees and reinstalling may help.
- If the bolts are ever over-torqued, they should be replaced immediately.
- **Check bolt torque at least once a year.**
- When the propeller is not in use and exposed to weather, cover it with a waterproof cover to extend the life of the finish.

AIRWORTHINESS LIMITATIONS
Life Limitations: None
MAJOR PERIODIC INSPECTION: 2000 hours or 96 months, whichever comes first.
NOTE: There is no overhaul time. The propeller parts are removed from service when they can no longer meet the Continued Airworthiness Requirements.
The Airworthiness Limitations section is FAA approved and specifies maintenance required under §§43.16 and 91.403 of the Federal Aviation Regulations unless an alternative program has been FAA approved.

INSPECTIONS

Inspection After Suspected Lightning Strike

-- To be accomplished by an A&P, IA, or repairman.

Any Sensenich composite blade suspected of lightning strike should be inspected and may require repair or replacement. Lightning strikes usually enter a composite blade through the metal erosion shield. If a lightning strike is present, a darkened area and possible pitting, usually in the proximity of the tip, will be noticeable. If a lightning strike is suspected or detected, consider the blade unairworthy. Return the blade to the factory or an **Approved Propeller Repair Station** for further examination.

Inspection After Suspected Impact

-- To be accomplished by an A&P, IA, or repairman.

Propellers that have been involved in a known or suspected static or rotating impact with relatively solid objects (e.g., ground, maintenance stands, runway lights, birds, etc.) or relatively yielding objects (e.g., snow banks, puddles of water, heavy accumulation of slush, etc.) should be inspected for damage before further flight. If the inspection reveals one or more of the following listed indications, the propeller should be removed and sent to an **Approved Propeller Repair Station**.

- (1) A blade that tracks more than 3/16" to the other blades.
- (2) Loose blades in the hub.
- (3) Any noticeable or suspected damage to the blade pitch pins.
- (4) Any diameter reduction (tip damage).
- (5) Visible major damage to the hub that cannot meet the **Minor Hub Repairs** criteria. In particular, inspect for cracks in the bolt holes, counterbores, and barrel cavities which clamp the blades.
- (6) Visible major damage to a blade that cannot meet the **Minor Blade Repairs** criteria.
- (7) Operating changes, such as vibration or abnormal RPM.

NOTE: The bolts should be magnetic particle inspected per ASTM E 1444 or replaced after any propeller strike.

Mandatory Inspections:

- **Annual Inspection -- To be accomplished by an A&P, IA, or repairman.**
 1. Examine the spinner assembly for missing hardware. Remove spinner dome. Examine spinner dome and bulkhead for security, chafing, cracks, or deterioration. If necessary, replace. See **Spinner Repairs** section.
 2. Examine each blade carefully, making sure each blade is still tight in the hub. If any loose blades are found, proceed to step 2 of **Major Periodic Inspection** procedure. Perform a thorough visual inspection for security, chafing, deterioration, and cracks. Perform a coin tap inspection of each composite blade, including the metal erosion shield on the leading edge (see AC 43-5). No dents in the metal erosion shield should be deeper than 1/8". No dents should puncture the metal erosion shield. There should be no excessive wear on the leading edge. If blade damage is beyond **Minor Blade Repair** limits, the blade must either be retired from service or sent to a repair station for evaluation before return to flight.
 3. Conditions requiring blade replacement:
 - a) Any hole in hollow blade shell (doesn't apply if a replacement metal erosion shield will cover hole)
 - b) Any crack deeper than .025"
 - c) Any solid tip damage that can't be trimmed off completely with a diameter reduction to minimum diameter, See **Table 3**.
 4. Check clamp bolt torque. – Tighten the clamp bolts using a star pattern. See **Table 2** or hub decal for clamp bolt torques. If the bolt requires more than 1/4 revolution to tighten to full torque, proceed to step 2 of **Major Periodic Inspection** procedure.
 5. Examine both hub halves and hardware for corrosion. Carefully inspect hub around clamp bushings, bolt holes and outside of barrels for any cracks. If necessary, carefully remove any flaked or blistered coating from the hub surface, taking care not to scratch the aluminum surface. If there is any corrosion, cracks or damage present to hub refer to **Minor Hub Repair** instructions below. Replace corroded hardware.
 6. Reinstall the spinner dome.

- **Major Periodic Inspection -- To be accomplished by an A&P, IA, or repairman every 2000 hours or 96 months.**
 1. Remove spinner dome and examine for damage and cracks. If necessary, replace the spinner dome. See **Spinner Repair** section.
 2. Remove clamp bolts, outer mount bolts and special lock washers and retire both sets from service.
 3. Remove the hub cover half and blades. Set aside.
 4. Remove inner mount bolts and special lock washers and retire from service.
 5. Remove the hub mount half, rear spinner bulkhead and spacer (if applicable).
 6. Examine rear spinner bulkhead for damage, and cracks. If necessary, replace the rear bulkhead. See **Spinner Repair** section.
 7. Send hub cover half, hub mount half, and blades to an **Approved Propeller Repair Station** for the remaining Major Periodic Inspection.
 8. Reinstall repair station approved propeller or new propeller and spinner (if used) per the Propeller Installation section.

REPAIRS

Minor Blade Repairs

-- To be accomplished by an A&P, IA, or repairman

Minor impact damage, nicks, and gouges in composite material of blade not to exceed .025 depth and or .5 square inches of surface area: Fill with high strength epoxy resin West System 105/206 or equivalent (NOT 5 minute epoxy) thickened with aerospace filler material, such as Colloidal Silica 406, Cabosil, or equivalent. Sand smooth when dry.

Wear and/or roughness of metal erosion shield on blade leading edge: If metal is not worn through, use 220 grit sandpaper or coarse scotch pad to remove roughness or minor pitting, being careful to not grind through the erosion shield. Polish with fine scotch pad or equivalent to remove scratches.

Paint wear on blade:

NOTE: wear is inevitable on the metal erosion shield. The wear rate depends on several factors, including high operating RPM's in rain or sandy areas, FOD on taxiways and runways, etc. Touch up paint using Tempo A150 Flat Black, A152 White, or equivalent. When using touch up paint, keep in mind that paint can cause an out of balance situation so touch up should be kept to a minimum.

Minor Hub Repairs

-- To be accomplished by an A&P, IA, or repairman

Any hub or spacer that would exceed what is depicted in **Figure 6** for minor repair must be retired from service. These dimensions (other than radius) are maximum allowable. Anything less is acceptable. Radius can be greater. A hub can be returned to service with the following limitations:

- No more than two (2) repairs in a single barrel half (where the blade touches the hub) for a total of 8 barrel repairs in one (1) complete hub, as long as the repairs do not touch.
- General hub repairs can be indefinite, both inside and outside, as long as the repairs do not touch.
- No repairs over a previous repair.

- No repairs on the hub mounting flange face.
- No repairs on either flange face of the spacer. Clean the area thoroughly, apply an approved penetrant (**ASTM E 1417** or equivalent), and inspect with a 10X glass before returning to service.

Corrosion – All corrosion must be removed before a hub can be returned to service. Corrosion is considered a repair.

Instructions for removing the damage or corrosion spot:

1. Sand the area with 220 wet-or-dry abrasive paper until all evidence of corrosion is removed. A small motorized grinding tool may be used.
2. Polish the area with 320 grit (or finer) to remove all scratches.
3. Clean the area thoroughly, apply an approved penetrant (**ASTM E 1417** or equivalent), and inspect with a 10X glass. **NOTE:** It is extremely important that all corrosion be completely removed. If cavities reappear during penetrant inspection, the repair operation must be repeated.
4. Remove penetrant from the affected area.

Spinner Repair

-- To be accomplished by an A&P, IA, or repairman

The following repairs are directed toward composite spinners supplied by Sensenich Propeller. For repair of composite spinners not supplied by Sensenich please refer the spinner manufacturers repair instructions.

Minor impact damage, nicks, and gouges in composite material of dome or rear bulkhead not to exceed .025 depth and or .5 square inches of surface area: Fill with high strength epoxy resin West System 105/206 or equivalent (NOT 5 minute epoxy) thickened with aerospace filler material, such as Colloidal Silica 406, Cabosil, or equivalent. Sand smooth when dry.

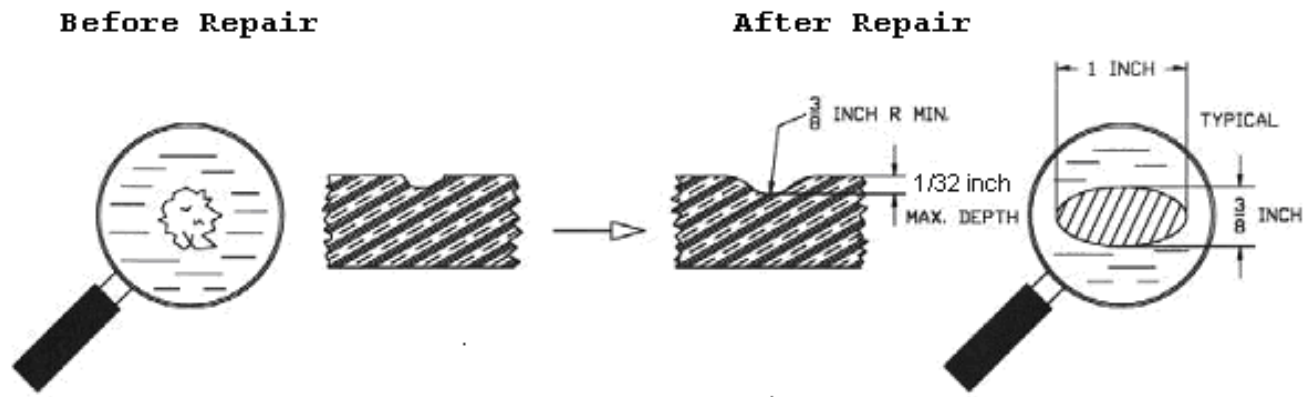


Figure 6: Minor Hub Repair Limits

LIMITED WARRANTY

We hope you enjoy your new composite propeller. We have worked hard to ensure that your propeller will meet or exceed your expectations for years to come.

We offer a one year limited warranty (the "Warranty Period") on any defect in materials and workmanship.

In the event a unit does not conform to this express warranty during the Warranty Period, Sensenich Composites, Inc. ("Sensenich"), will repair or replace the defective material at its place of business at Plant City, FL USA. Sensenich will decide at its sole discretion which remedy, repair or replacement, it will provide. Any replacement of a unit or a part of a unit during the Warranty Period will not extend the Warranty beyond the original duration. The remedy of repair or replacement is exclusive and does not include the cost of shipping, removal, or installation, all of which are the customer's responsibility.

Procedure For Obtaining Warranty Service

Units or parts that are defective must be shipped prepaid to Sensenich at the address listed on page 1. The unit must be accompanied by a copy of the original (Distributor or Dealer) invoice, a Return Authorization Number (which can be obtained by phoning Sensenich), and a brief description of the defect.

Conditions, Exclusions, and Disclaimers

This limited warranty applies only to units that have been installed, used, and maintained properly in strict accordance with our specifications, instructions, and recommendations. It does not cover units that show abuse, alterations, improper installation, improper maintenance or repair, or improper packaging for shipment; and it does not pertain to damage due to object strike, or excessive blade wear due to operation. Racing use of any kind automatically voids this Warranty. The use of units on or with engines or equipment not approved by Sensenich automatically voids this warranty. For purposes of this limited warranty, "engines or equipment not approved by Sensenich" shall mean engines or

equipment that are not explicitly consistent with all specifications and instructions applicable to that engine or equipment, including, without limitation, those established by the Federal Aviation Administration, those established by the manufacturers of any component parts used in connection with the units, and/or those established by Sensenich. The purchaser has sole responsibility for ensuring that the use of the units is in compliance with all applicable specifications and instructions, and no conduct by Sensenich shall prevent this Warranty from being voided for failure to comply with the instructions or specifications provided by any third-party.

This Limited Warranty is the only warranty provided with respect to covered units, and **THERE ARE NO OTHER WARRANTIES, REPRESENTATIONS, CONDITIONS OR GUARANTEES, EXPRESS OR IMPLIED, WITH RESPECT TO THE COVERED UNITS OR THE MANUFACTURE THEREOF, INCLUDING, WITHOUT LIMITATION, ANY IMPLIED WARRANTIES OF MERCHANTABILITY OR FITNESS FOR A PARTICULAR PURPOSE.**

Repair or replacement of a nonconforming unit or part is the exclusive remedy for breach of this limited warranty, and shall constitute fulfillment of all liabilities of Sensenich to a customer or user, whether based on contract, negligence or otherwise. **IN NO EVENT SHALL SENSENICH BE LIABLE FOR ANY OTHER EXPENSES, CLAIMS OR DAMAGES OF ANY KIND HOWSOEVER CAUSED, INCLUDING (WITHOUT LIMITATION) ANY OTHER PRODUCT REPLACEMENT OR INSTALLATION COSTS AND/OR ANY DIRECT, INDIRECT, CONSEQUENTIAL, INCIDENTAL OR SPECIAL DAMAGES.**

The purchaser of the covered units has read, understood and, by purchasing the units, agrees to be bound by the above terms and conditions.

Some states do not allow the exclusion of incidental or consequential damages, so the above limitations may not apply to you.

This Warranty gives you specific legal rights and you may also have other rights which vary from state to state.

APPENDIX A: 2G0M8 C82BGF pitch limitations when operated on a Piper PA-18-150 with a 180hp Lycoming O-360 or IO-360 Incorporated by STC.

