

SENENICH WOOD PROPELLER CO., INC.

AREA CODE 813
 PHONE - 752-3711
 FAX - 752-2818



2008 WOOD COURT
 PLANT CITY, FL USA
 33563

See us on the Web @ www.sensenich.com

SSI-SP-202202

Sensenich Supplemental Instructions for Composite Spinners

These instructions are to help with the spinner assembly during a propeller installation, they do not replace propeller installation instructions.

Table 1: Spinner Bill of Materials

Item	Description
1	Spacer (if applicable)
2	AN525-832R8
3	Rear Spinner Bulkhead
4	Hub Mount Half
5	Hub Cover Half

Item	Description
6	AN970-3 spacing washers (if applicable)
7	Spinner Front Bulkhead (if applicable)
8	AN970-3 Washer (if applicable)
9	AN3-3A (if applicable)
10	Spinner Dome

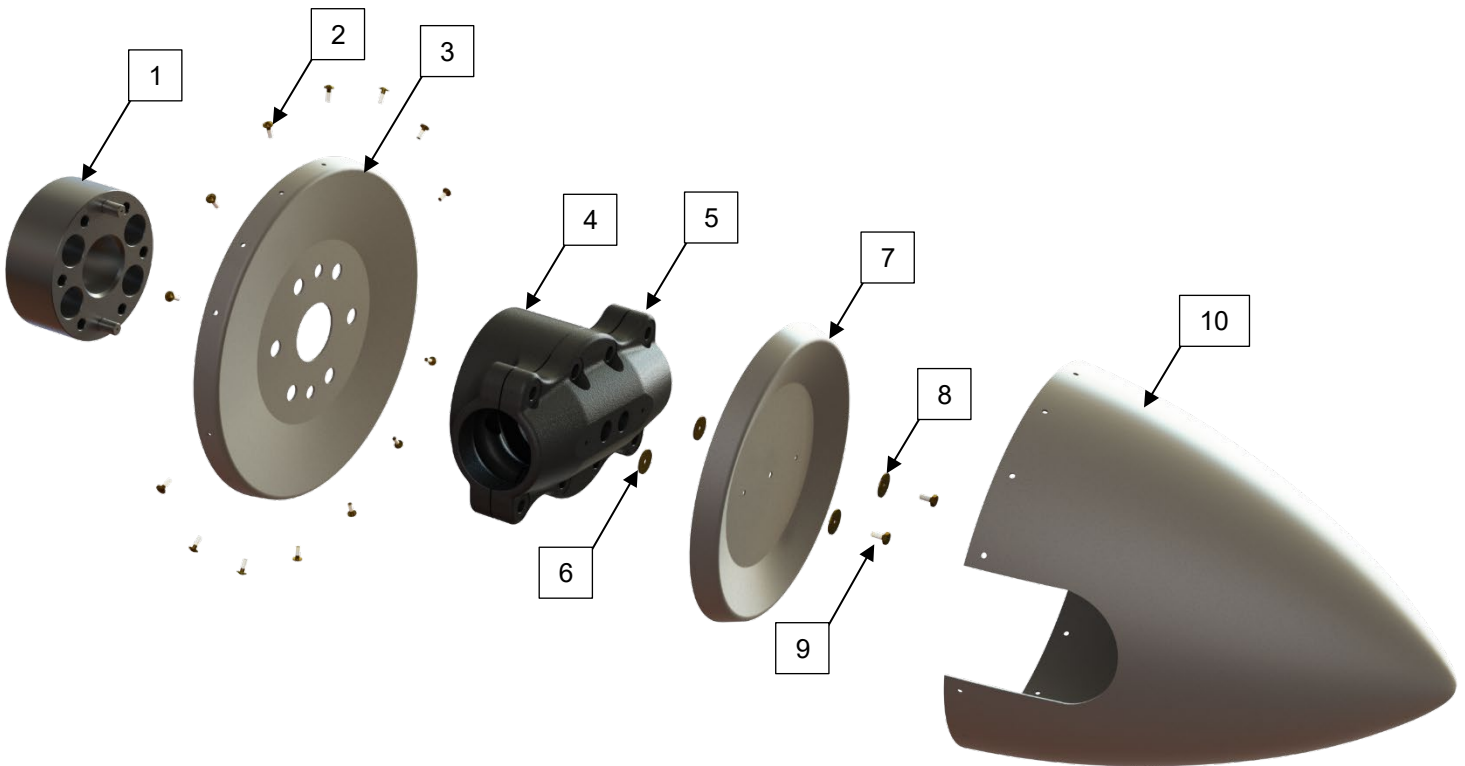


Figure 1: Spinner Assembly

(Note: Blades and hub mounting hardware not shown for simplicity)

SPINNER INSTALLATION

1. Place spacer (if required), rear spinner bulkhead and the hub mount, as shown in **Figure 1**, on the propeller mounting flange. The hub must sit flush on the mounting flange.
2. Once the propeller blades and hub cover half are correctly installed (Refer to Propeller installation instructions), Install spinner front bulkhead (if applicable) on hub cover half. Place two AN970-3 washers between hub cover half and spinner front bulkhead for spacing, then fasten the front bulkhead to the hub cover half using two AN3-3A bolts with 242 “blue” Loctite and two more AN970-3 washers. Torque the AN3-3A bolts to 20-25in-lbs using an appropriate torque wrench.
3. Slide spinner dome over the spinner front bulkhead (if applicable) and rear spinner bulkhead. A small amount of force should be required to press the spinner dome all the way down onto the rear spinner bulkhead to line up the bolt holes. If the Spinner dome drops into place without having to apply a small amount of force, the spinner front bulkhead does not have a tight enough press fit inside the spinner dome; repeat step 2 but apply two more washers between the hub cover half and spinner front bulkhead, see **Figure 2**.
4. Fasten the spinner dome to the rear spinner bulkhead with the AN525-832R8 screws torqued to 15-20 in-lbs.

NOTE: Ensure there is adequate clearance between the spinner dome cutouts and the propeller blades and hub. Inadequate clearance may result in the spinner dome wearing into the blade or hub. The amount of clearance depends on engine type and spinner construction, but a minimum of 1/8” clearance is recommended.

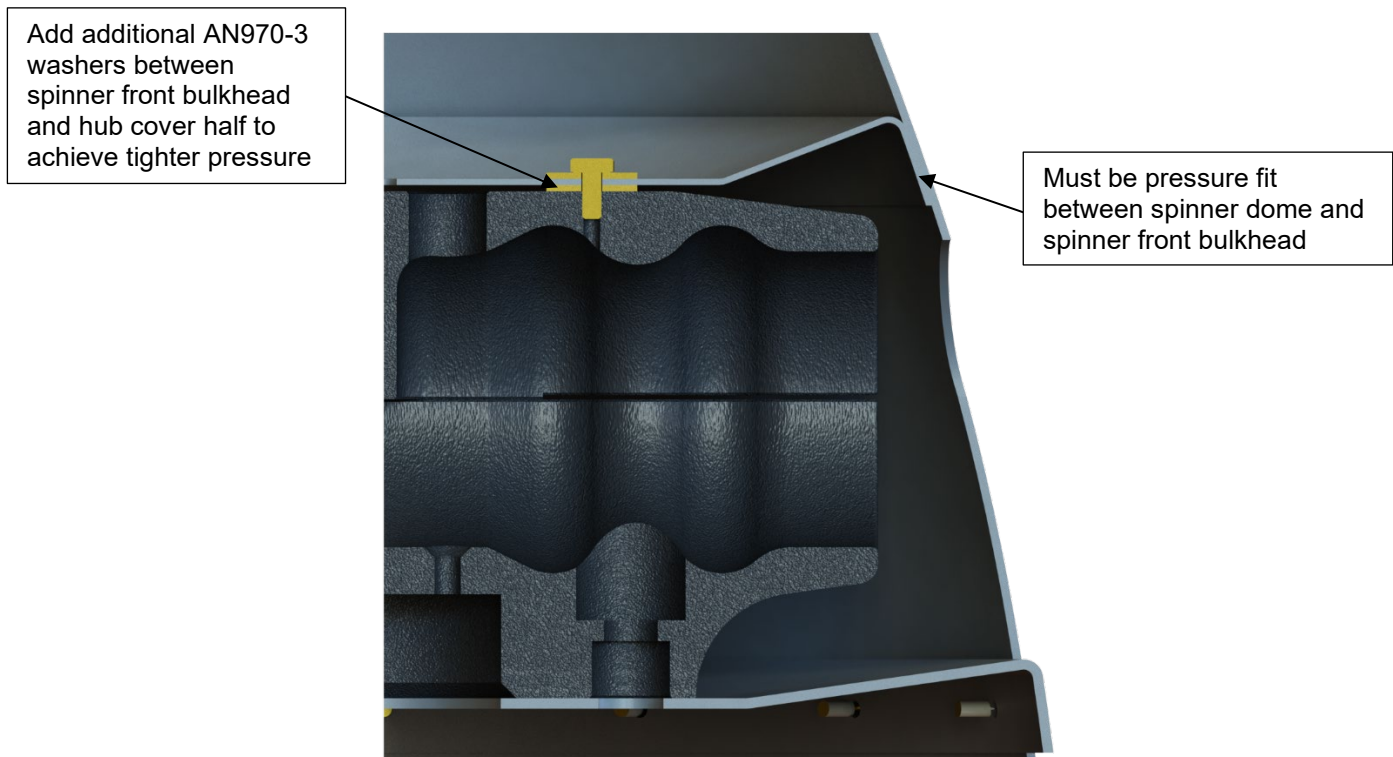


Figure 2: Front Spinner Bulkhead Washer Section View
(Note: Only for spinners with spinner front bulkhead.)